



ULR-IN-HWDR-350W

LED INDOOR ELECTRONIC RIBBON LIGHT
HARDWIRE DRIVER

TECHNICAL SPECIFICATIONS:

- Output power: 350W
- Output Current: 0~29A
- Output DC Voltage: 24V
- Setup, Rise time: 1300ms, 50ms/230VAC
1300ms, 50ms/115VAC at full load
- Hold up time: 16ms/230VAC 12ms/115VAC at full load
- Leakage Current: <2mA / 240VAC
- Efficiency: 83.5%

FEATURES:

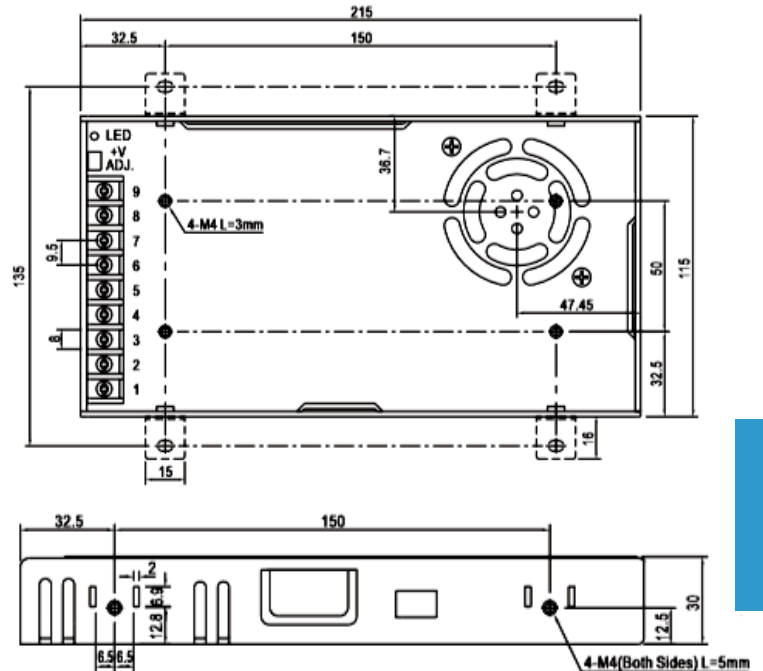
- LED indicator for power on
- No load power consumption < 0.75W
- AC input range selected by switch
- Operating temperature: up to 158°F
- Protections: Short circuit, Overload, Over voltage, Over Temperature
- Force air cooling by built-in DC fan
- Built-in cooling fan NO-OFF control
- Withstand 5G vibration test
- 100% full load burn-in-test

CERTIFICATIONS:



DIMENSIONS:

8.46"(L) X 4.52"(W) X 1.18"(H) inch



MODEL	OUTPUT CURRENT	OUTPUT POWER	OUTPUT VOLTAGE
ULR-IN-HWDR-350W	0~29A	350W	24V

SAFETY & EMC:

- Safety Standards: IEC/UL 62368-1, BSMI CNS14336-1, EAC TP TC 004,KC K60950-1 (for LRS-350-12/24 only) approved
- Withstand Voltage: I/P-O/P:3KVAC I/P-FG:2KVAC O/P-FG:0.5KVAC
- Isolation Resistance: I/P-O/P, I/P-FG, O/P-FG:100M Ohms/500VDC
- EMC Emission: Compliance to BSMI CNS13438, EAC TP TC 020,KC KN32 KN35
- EMC Immunity: Compliance to EAC TP TC 020,KC KN32 KN35

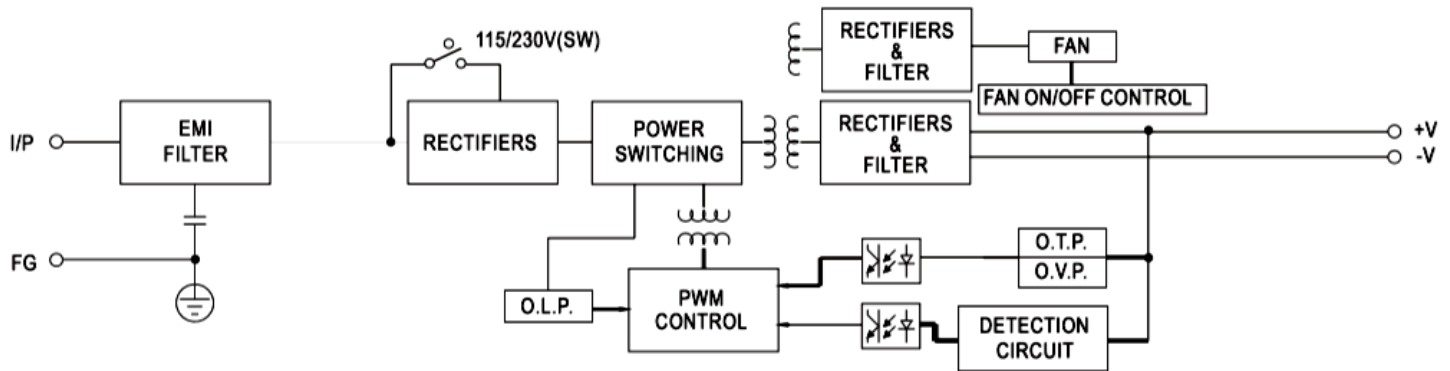


ULR-IN-HWDR-350W

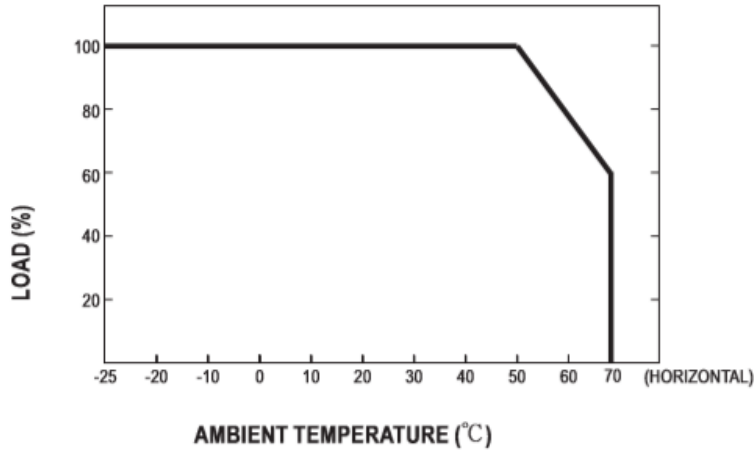
LED INDOOR ELECTRONIC RIBBON LIGHT
HARDWIRE DRIVER

MODEL	OUTPUT CURRENT	OUTPUT POWER	OUTPUT VOLTAGE
ULR-IN-HWDR-350W	0~29A	350W	24V

TYPICAL WIRING DIAGRAM:



DERATING CURVE:



STATIC CHARACTERISTICS:

